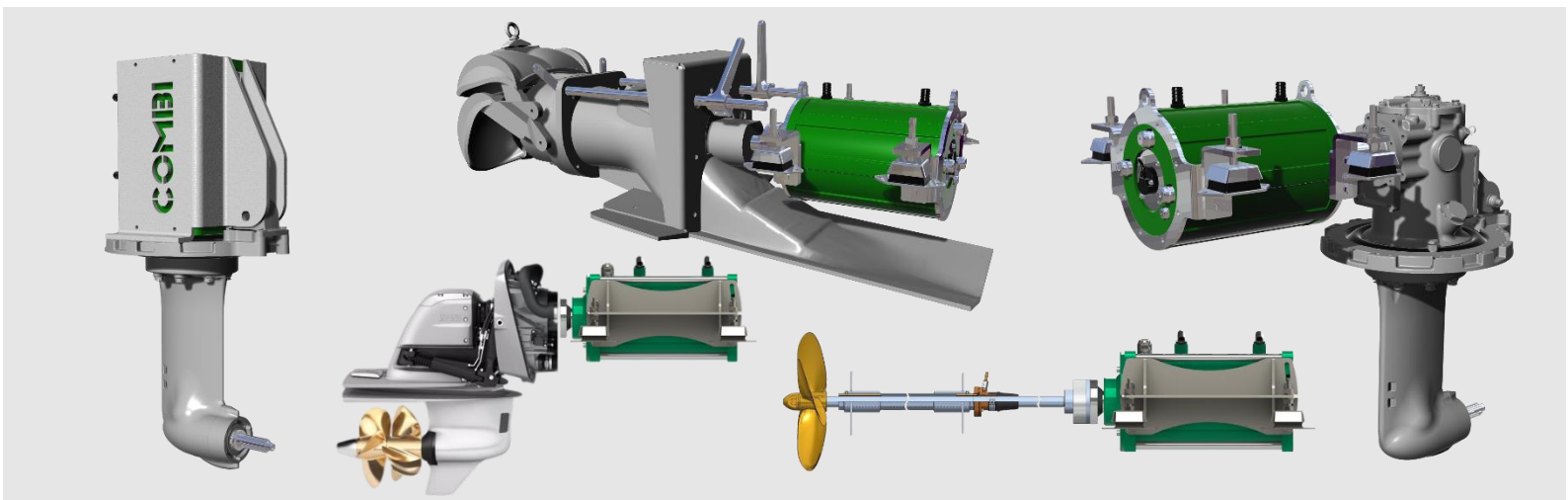




Combi Inboard PM Liquid Cooled

The Combi Inboard PM motors are liquid-cooled electric motors that fit in almost any situation. Our inboard engines can be used with almost all available propeller shaft systems, but also with many other applications. Thanks to the handy flexible adjustment system, the motors can be adapted to any motor foundation. Different cooling systems are available. All systems are supplied Plug and Play and are therefore easy to install. These engines can also be used as a parallel hybrid drive.



APPLICATIONS

INBOARD / HYBRID / SAILDRIVE / JET DRIVE / STERN DRIVE

Rated Power (kW)	6kW	10kW	15kW	20kW	20kW	25kW	25kW	30kW	35kW	40kW	50kW	50kW
Voltage (VDC)	48	48	48	48	96	96	144	144	144	96	144	180
Rated Current (A)	125	208	314	420	215	280	180	208	240	430	350	265
Rated Speed (RPM)	1450	1450	1450	1450	1450	1450	2500	1450	1450	1550	2500	1800
Rated Torque (Nm)	40	66	112	132	132	165	96	230	230	246	191	265
Efficiency	94%	94.7%	94%	94%	94%	94%	95%	93%	93%	93%	96%	96%

Version: (C) EN-MSCIPM101

THE SILENT POWER BEHIND ELECTRIC BOATING

